

# Stéfani

Purificadores



Cristal Plus/  
Cristal Flex      Flex      Classic      São João



Premium      Advance Plus      Veneza

## Instruction Manual

Cerâmica Stéfani's filters are products of recognized quality and with the best cost benefit of the market since 1947.

Equipped with microporous filtering element(s), also known as candle or cartridge, provide cleaner, crystalline and healthy water.

They have float valve (on some models) that doubles their storage capacity, allowing the filter to have the upper (with water to be filtered) and lower chambers (with filtered water) full at the same time.

Equipped with the Clic Tap, its functioning is more efficient and practical.

## Assembling

1 - Clean all the pieces that compose the product only with running water before the assembling. Obs.: only plastic parts may be washed with neutral soap.

2 - Fit the lower chamber on the plastic base (only in the filters Cristal Plus, Cristal Flex, Flex, Advance Plus and Premium). Obs.: on the Flex filter, use the guide pin to fix the plastic base on the lower chamber.

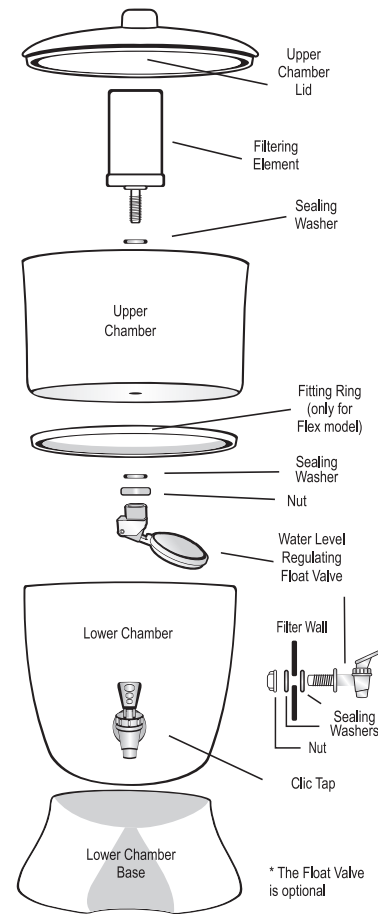
3 - To assemble the tap, fit the sealing washer in itself and put it in the lower chamber hole. From inside the filter fit the other sealing washer and the nut, tightening it until it is firmly in place.

4 - Fit the sealing washer on the filtering element and then put it in the hole inside the upper chamber. Fit the other sealing washer from below the plastic nozzle, then thread the nut on the nozzle, with adequate force, until it is firm. Repeat this procedure, if necessary, according to the quantity of cartridges, depending on the filter model.

5 - Put the float valves (optional) threading it (without the use of excessive strength) on the cartridge's nozzle until it is adjusted, placing it so it do not touch the filter wall or other float valve (in case there is more than one). Repeat this procedure, if necessary, according to the quantity of float valves, depending on the filter model.

6 - Place the upper chamber over the lower chamber and finish it by placing the lid over the

upper chamber. Obs.: on the Flex model, fit the chambers placing the fitting ring between them. To make assembling easier, observe the picture below.



## Important Information

The filters with terracotta chamber naturally refresh the water. This occurs due to the porosity of this material, which allows the heat transfer with the environment. The point of use (POU) of this product must be in an aerated place, away from direct contact of sunlight and never on surfaces that may get damaged with moisture.

During the first days, the water may present a characteristic taste and odor of ceramic, which are not harmful to the health and will decrease with its use.

On the filtering process of the filters equipped with Dechlorinating Ceramic Cartridge or Sterilizing Ceramic Cartridge, small black particles of granular activated carbon may be released from the interior of the cartridge, which will be deposited on the bottom of the lower chamber. These particles are not harmful to the health.

## Attention

Discard the first 12 liters of filtered water per filtering element (cartridge) before its consumption. E.g.: 2 cartridges = discard 24 liters. To assure the water quality is recommended to replace the filtering element(s) every 6 months of use or every 500 liters of filtered water per filtering element.

Depending on the quality of the water used, a reduction of water flow might occur. This indicates the need to clean the external surface of the filtering element(s) or even its(their) replacement. Use only products manufactured by Cerâmica Stéfani.

To obtain the results guaranteed by the *Norma ABNT 16098*, it must be used on this product municipally treated water which is in accordance with the *Portaria n° 2.914* of the *Ministério da Saúde do Brasil*.

## Maintenance and Cleaning

The chambers (upper and lower) and the filtering element(s) must be washed weekly with an unused soft sponge and water, both clean. Do not use sugar, salt or chemicals. (Obs.: only plastic parts may be washed with neutral soap).

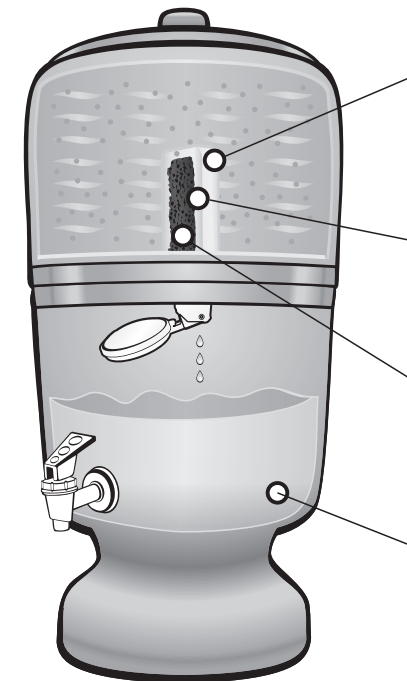
As the terracotta filters are manufactured with natural raw material, when the water is in contact with the filter wall, over time, it may cause the appearance of crystals on the filter wall (this phenomenon is called efflorescence) or even the appearance of small stains. In the same way, terracotta has particles that contain iron and as consequence some black stains may appear throughout use. These black stains are not harmful to health. This phenomenon occurs in different places of the environment, more or less humid. Both effects may occur depending on the water characteristics from each region, therefore, clean the filter wall weekly with an unused soft sponge or a clean damp cloth.

## Technical Information:

- Point of use (POU) apparatus with action by gravity.
- Particles retention class C: retains particles from  $\geq 5$  up to  $< 15\mu\text{m}$ .
- With Free Chlorine reduction (only for the filters equipped with Dechlorinating Ceramic Cartridge or Sterilizing Ceramic Cartridge).
- With bacteriological efficiency (only for the filters equipped with Sterilizing Ceramic Cartridge).
- Test of microbiological level approved.
- Test of extractables approved.
- Flow rate per filtering element: minimum of 0,5 l/h and maximum of 3,0 l/h for 0,1 mWC.
- Maximum and minimum incoming water temperatures: 45°C and 5°C (113°F and 41°F).
- Volume of water to discard: 12 l/filtering element.
- Service life per filtering element: 500 l.
- Filtering element models: Tradicional, Dechlorinating and Sterilizing.

This apparatus is in accordance with the *Norma ABNT (Brazilian Association of Technical Standards) 16098*.

## How the gravity filtration system works with the Sterilizing Ceramic Cartridge (Triple Action)



- 1. First stage:**  
The water flows through the microporous ceramic filtering wall that retains solid particles and impurities.
- 2. Second stage:**  
The internal layer of colloidal silver of the cartridge sterilizes the water, eliminating bacteria.
- 3. Third stage:**  
The water flows through the activated carbon, which guarantees high efficiency on the reduction of odors, tastes and chlorine.
- 4. Fourth stage:**  
The water reaches the lower chamber clean and safe for consumption. Obs.: Once stored, on the terracotta filters, the water gets up to 5°C/9°F fresher.

## Observation:

The number of stages will vary according to the model of cartridge used in the filter:

**Tradicional Ceramic Cartridge:** consider only the first and fourth stages.

**Dechlorinating Ceramic Cartridge:** consider only the first, third and fourth stages.

## Warranty

This product is warranted for one year against manufacturing defect. Therefore, follow correctly the instructions in this manual and keep your receipt, it is your proof of purchase.

# INSTRUCTION MANUAL

www.ceramicastefani.com.br

## CERÂMICA STÉFANI S.A.

Av. Major Hilário Tavares Pinheiro, 1388

Jaboticabal - SP - Brazil • CEP 14871-900

Phone: +55 16 3209 4788

Fax: +55 16 3209 4789

export@ceramicastefani.com.br

CNPJ: 50.377.159/0001-06

MADE IN BRAZIL

www.ceramicastefani.com.br