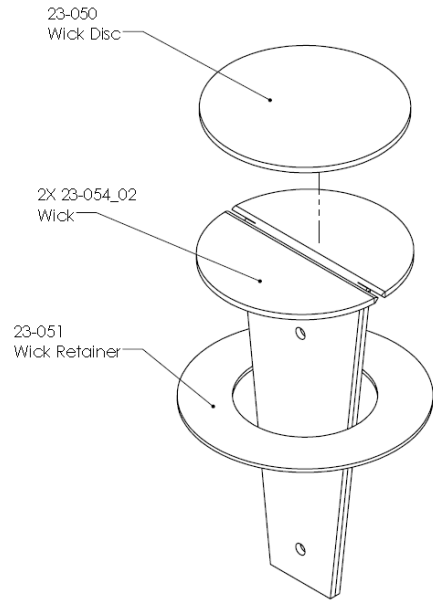


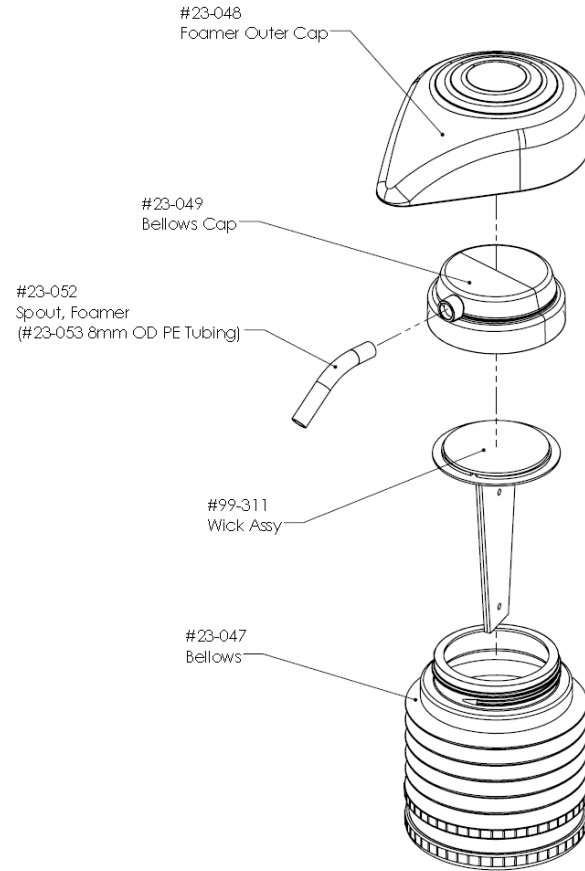
# Pova Poa

## LRP Assembly instructions

### 99-311 Wick Assy



### #13098 Foamer



### #13097 Pova Poa Assembly

